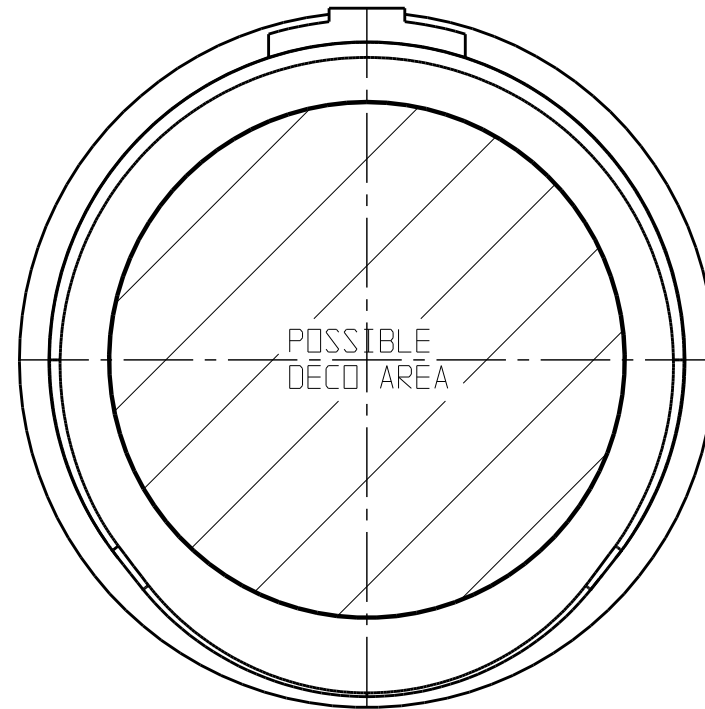
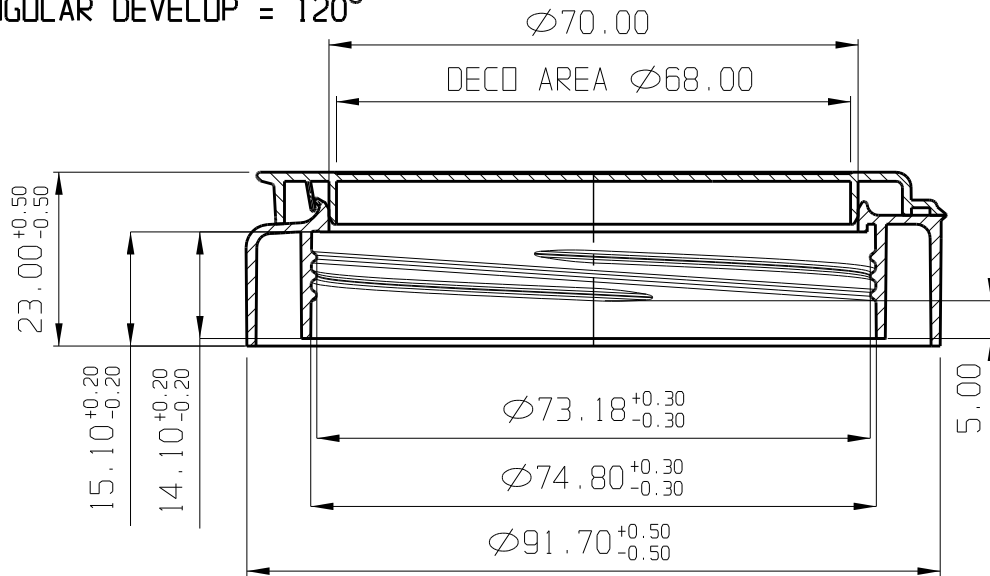


PITCH OF THE THREAD = 10 mm
 4 START THREAD
 ANGULAR DEVELOP = 120°



2	-	***	***
1	INSERT THE SNAP ON THE CAP	S.D.	29/01/13
Nr:		Checked	Date

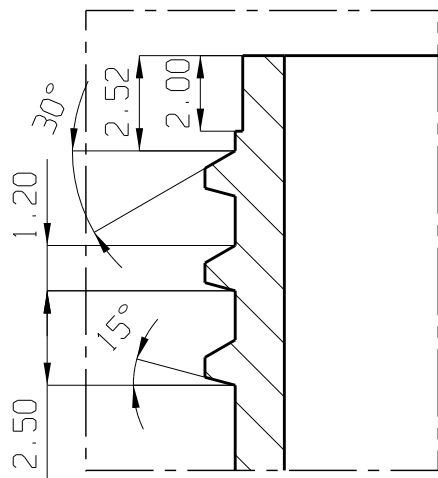
Revisions



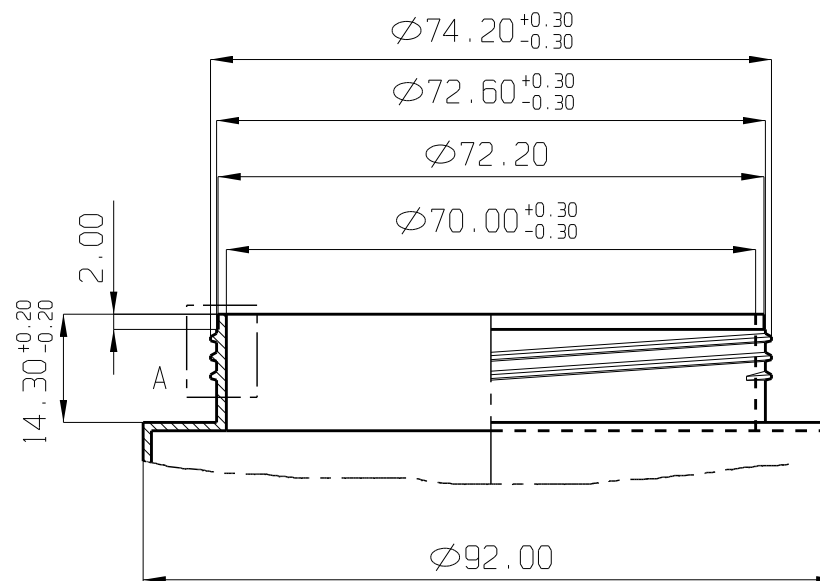
Via della Chimica, 12 - 36031 Povolaro di Dueville - VI - ITALY
 Tel. +39.0444.1835457 - Fax +39.0444.361296
 web: www.cbcaps.com e-mail: info@cbcaps.com

Article name :		Cap colored FREESBE - version Double Wall			
Material :	PP	Weight :	20 +/- 1 gr.	Designer :	S.D.
Article code :	-	File :	-	Top finish	Glossy
Scale :	1:1	Measure in mm		Body finish	Glossy
				Date :	30-10-12

DETAIL "A"
SCALE 5:1



PITCH OF THE THREAD = 10 mm
4 START THREAD
ANGULAR DEVELOP = 180°



2	-	***	***	***	***
1	***	***	***	Checked	Date
Nr:					
				Revisions	



Via della Chimica, 12 - 36031 Povolaro di Dueville - VI - ITALY
Tel. +39.0444.1835457 - Fax +39.0444.361296
web: www.cbcaps.com e-mail: info@cbcaps.com

Article name :		Suggested bottle neck for Cap bicolored FREESBE - version Double Wall			
Material :	Weight :	Designer :	Article code :	File :	
***	*** gr.	S.D.	-	-	
Scale :	Measure in mm	Top finish	Body finish	Date :	
1:1		-	-	30-10-12	