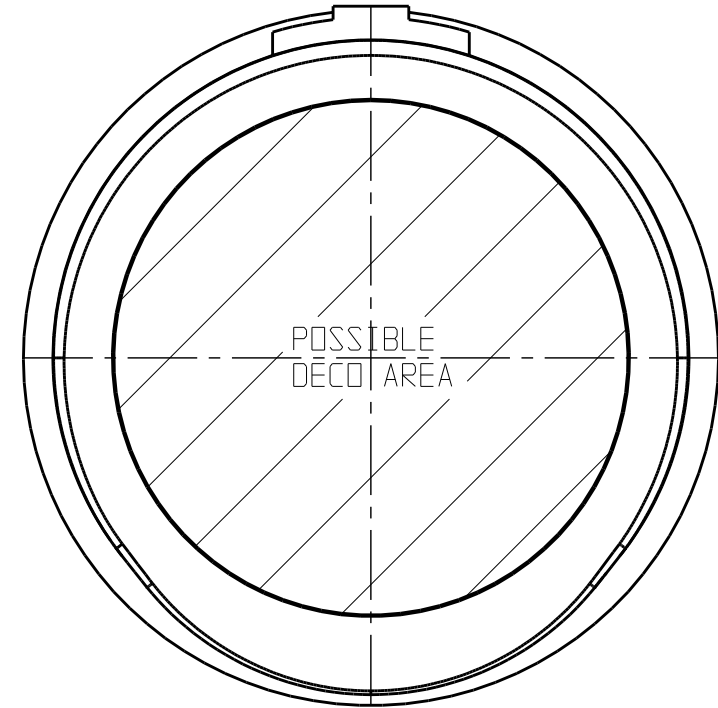
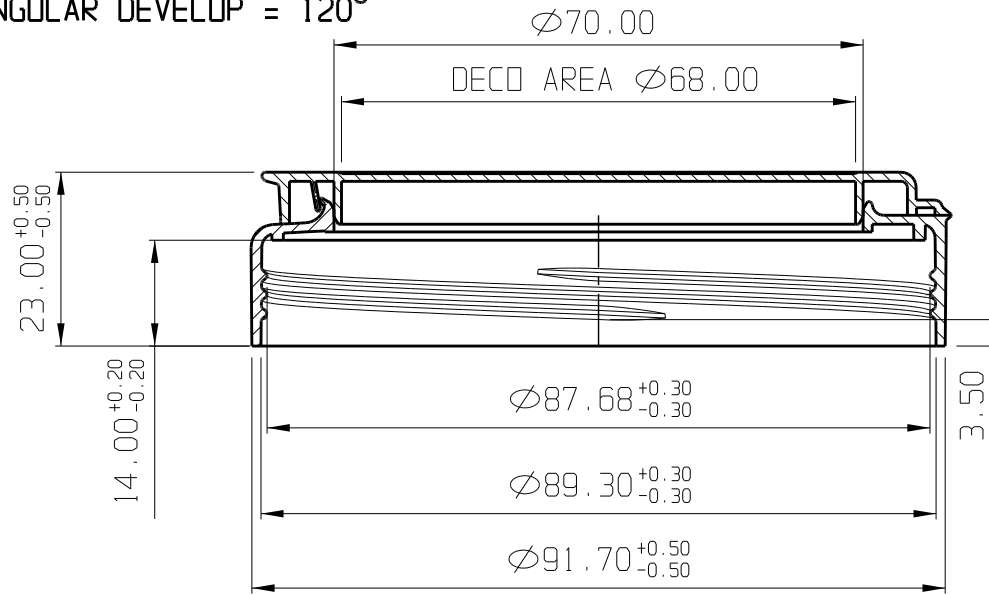


PITCH OF THE THREAD = 10 mm
 4 START THREAD
 ANGULAR DEVELOP = 120°



2	-	***	***
1	INSERT THE SNAP ON THE CAP	D.S.	29/01/13
Nr:		Checked	Date

Revisions



Via della Chimica, 12 - 36031 Povolaro di Dueville - VI - ITALY
 Tel. +39.0444.1835457 - Fax +39.0444.361296
 web: www.cbcaps.com e-mail: info@cbcaps.com

Article name :

Cap colored FREESBE - version Single Wall

Material :

Weight :

Designer :

Article code :

File :

Scale :

Measure in mm

Top finish

Body finish

Date :

1:1

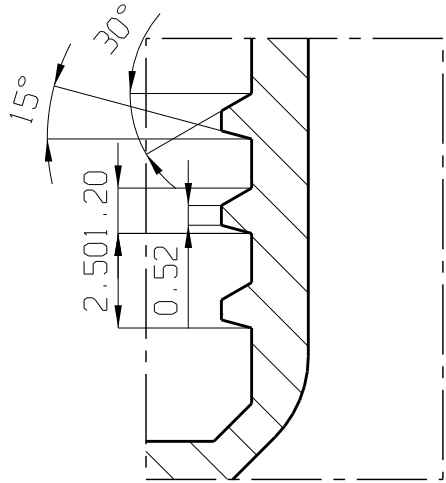
Glossy

Glossy

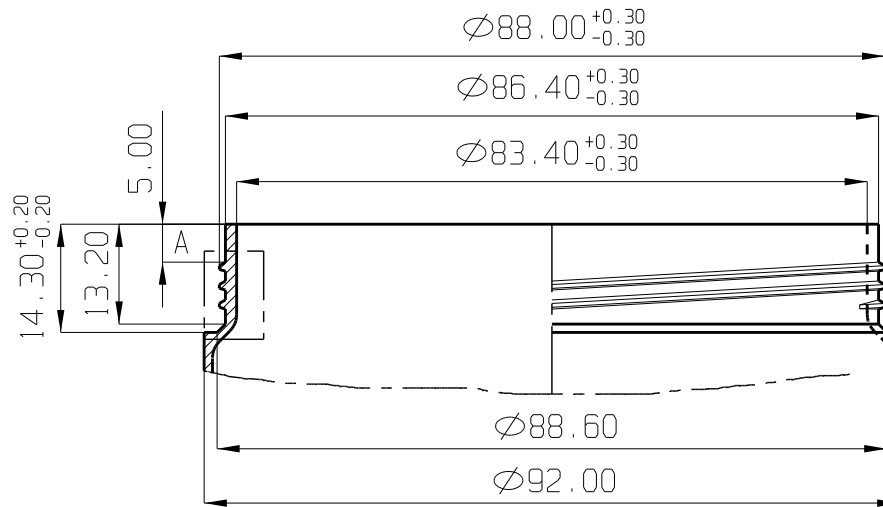
30-10-12

Reprinting or disclosed to a third party in whole or part in not authorized without prior written consent of Cb Caps s.r.l. Unipersonale (LAW 22,04,1941,n 633 - Copyright - Art.99)

DETAIL "A"
SCALE 5:1



PITCH OF THE THREAD = 10 mm
4 START THREAD
ANGULAR DEVELOP = 180°



2	-	***	***	***
1	***	***	***	***
Nr:		Checked	Date	

Revisions



Via della Chimica, 12 - 36031 Povolaro di Dueville - VI - ITALY
Tel. +39.0444.1835457 - Fax +39.0444.361296
web: www.cbcaps.com e-mail: info@cbcaps.com

Article name :		Suggested bottle neck for Cap bicolored FREESBE - version Single Wall		
Material :	Weight :	Designer :	Article code :	File :
***	*** gr.	S.D.	-	-
Scale :	Measure in mm	Top finish	Body finish	Date :
1:1		-	-	30-10-12